



WECON Inverter Catalog



Factory: 10th Building,E Area,Software Park, Fuzhou,Fujian,China
Headquarters: 6th Building,F Area,Software Park,Fuzhou,Fujian,China
Tel: 400-799-8189 Fax: +86-591-87843899
Website: www.we-con.com.cn/en
Email: sales@we-con.com.cn
Edition No.: WCT6.1.1



WECON Technology Co., Ltd

VB Series AC Drive

Power Range: Single Phase Input & Three Phase Output(220V): 0.75~2.2kW;
 Three Phase Input & Three Phase Output (380V): 0.75~400kW

The VB series is a new high-performance vector general-purpose VFD that further enhances stability and reliability through technical upgrades and product optimization, and is suitable for complex applications.



- SVC/VF Control
- 0-1000Hz
- 6-way DI, 2-way AI, 2-way Relay
- High reliability design

Application

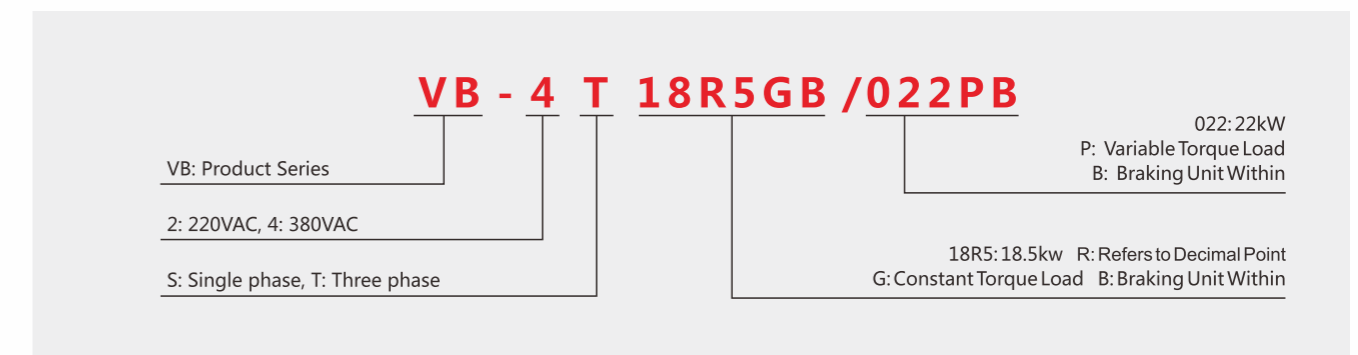
Lifting machinery, tension machinery, cutting and forging machinery, large inertia braking, metal processing, woodworking, rubber and plastic machinery, textile machinery, etc.



Technical specification sheet

Control characteristic	Control Mode	V/F Control; Sensorless Vector Control (SVC); Torque Control
	Starting Torque	G Type: 0.5Hz/150 % (SVC); P Type: 0.5Hz/100%
	Speed Adjustment Range	1 : 100 (SVC)
	Speed Holding Precision	± 0.5 % (SVC)
	Overload Capability	G Type: 150 % rated current for 60s ; 180 % rated current for 1s P Type: 120 % rated current for 60s ; 150 % rated current for 1s
Input/output	Input Voltage	220V/380V±15%
	Input Frequency	50/60Hz, fluctuation range: ±5%
	Output Voltage	0-rated input voltage
	Output Frequency	SVC: 0~320Hz, V/F: 0~1000Hz
Input/output Terminals	Analog Input	2-way
	Digital Input	6-way
	Analog Output	2-way
	Digital Output	1-way
	Relay Output	2-way
	RS485 Communication Terminal	1-way
	Power Supply	2-way, 1-way10V,1-way 24V
Application environment	Attitude	Lower than 1000m, service is derated capability above 1000m , derate 1% capacity every 100m increased in height
	Environment Temperature	-10°C ~ + 40°C (service is derated capability for 40°C ~ 50°C)
	Humidity	≤95%RH, no water condensation
	Vibration	< 5.9m/s ² (0.6g)
	Storage Temperature	- 40°C ~ + 60°C

Model number description

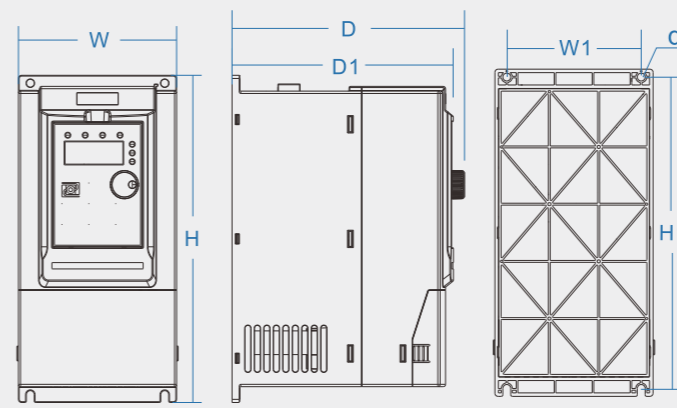


■ Specification and selection guide

Voltage grade	Power		Rated input current(A)	Rated output current(A)	Series No.	2:220V 4:380V	S:single phase T: three-phase	Adaptive motor power	G: general type P: fan type	B:integrated with brake function
	kW	HP								
Single phase 220VAC ±15%	0.75	1.0	8.2	4.5	VB	2	S	R75	G	B
	1.5	2.0	14	7	VB	2	S	1R5	G	B
	2.2	3.0	23	9.6	VB	2	S	2R2	G	B
Three phase 380VAC ±15%	0.75	1.0	3.4	2.1	VB	4	T	R75	G	B
	1.5	2.0	5	3.8	VB	4	T	1R5	G	B
	2.2	3.0	5.8	5.1	VB	4	T	2R2	G	B
	4/5.5	5.5/7.5	10.5/14.6	9/13	VB	4	T	4/5R5	G/P	B
	5.5/7.5	7.5/10	14.6/20.5	13/17	VB	4	T	5R5/7R5	G/P	B
	7.5	10.2	20.5	17	VB	4	T	7R5	G	B
	11/15	15/20	26/35	25/32	VB	4	T	011/015	G/P	B
	15/18.5	20/25	35/38.5	32/37	VB	4	T	015/18R5	G/P	B
	18.5/22	25/30	38.5/46	37/45	VB	4	T	18R5/022	G/P	B
	22/30	30/40	46.5/62	45/60	VB	4	T	022/030	G/P	B
	30/37	40/50	62/76	60/75	VB	4	T	030/037	G/P	/
	37/45	50/60	76/92	75/91	VB	4	T	037/045	G/P	/
	45/55	60/70	92/113	91/110	VB	4	T	045/055	G/P	/
	55/75	70/100	113/157	112/150	VB	4	T	055/075	G/P	/
	75/90	100/125	157/180	150/170	VB	4	T	075/090	G/P	/
	90/110	125/150	180/214	170/210	VB	4	T	090/110	G/P	/
	110/132	150/180	214/256	210/253	VB	4	T	110/132	G/P	/
	132/160	180/220	256/307	253/304	VB	4	T	132/160	G/P	/
	160/185	220/255	307/345	304/340	VB	4	T	160/185	G/P	/
	185/200	255/275	345/385	340/377	VB	4	T	185/200	G/P	/
200/220	275/300	385/430	377/426	VB	4	T	200/220	G/P	/	
220/250	300/340	430/468	426/465	VB	4	T	220/250	G/P	/	
250/280	340/380	468/525	465/520	VB	4	T	250/280	G/P	/	
280/315	380/430	525/590	520/585	VB	4	T	280/315	G/P	/	
315/355	430/480	590/665	585/650	VB	4	T	315/355	G/P	/	
355/400	480/545	665/785	650/725	VB	4	T	355/400	G/P	/	
400	545	785	725	VB	4	T	400	G	/	

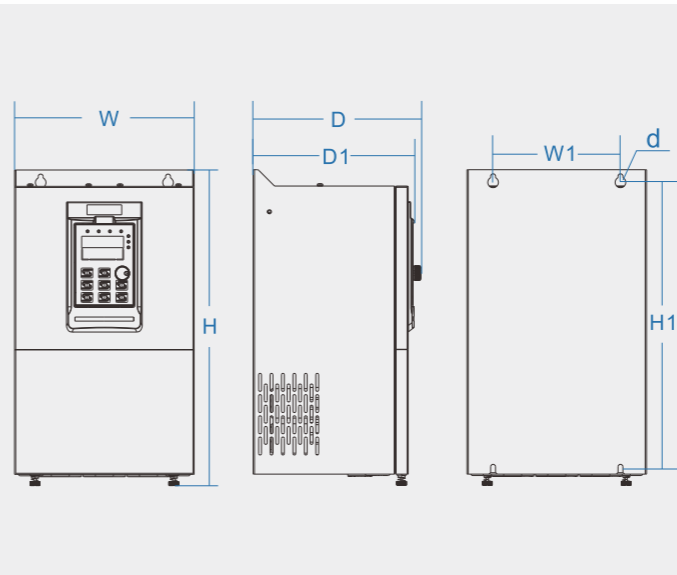
■ Dimensions(mm)

0.75kW-7.5kW dimension



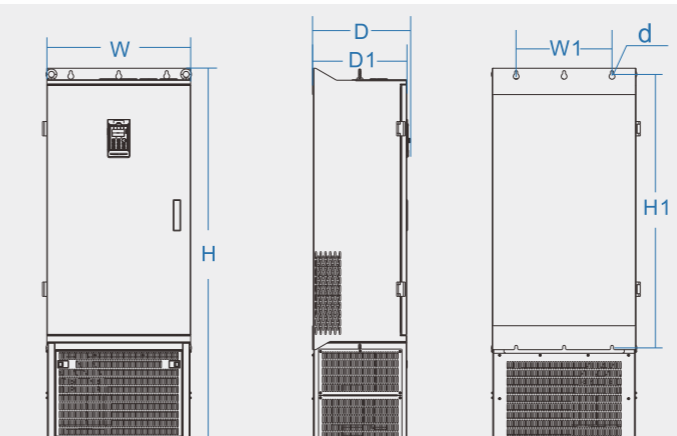
Inverter Model	Outline size				Installation dimension		Opening size
	H	W	D	D1	H1	W1	d
VB-2SR75GB	187	88	138	130	177	73	5
VB-2S1R5GB							
VB-2S2R2GB							
VB-4TR75GB							
VB-4T1R5GB							
VB-4T2R2GB	207	100	147	139	197	85	5
VB-4T004GB/5R5PB							
VB-4T5R5GB/7R5PB							
VB-4T7R5GB	247	130	167	159	237	113	5

11kW-185kW dimension



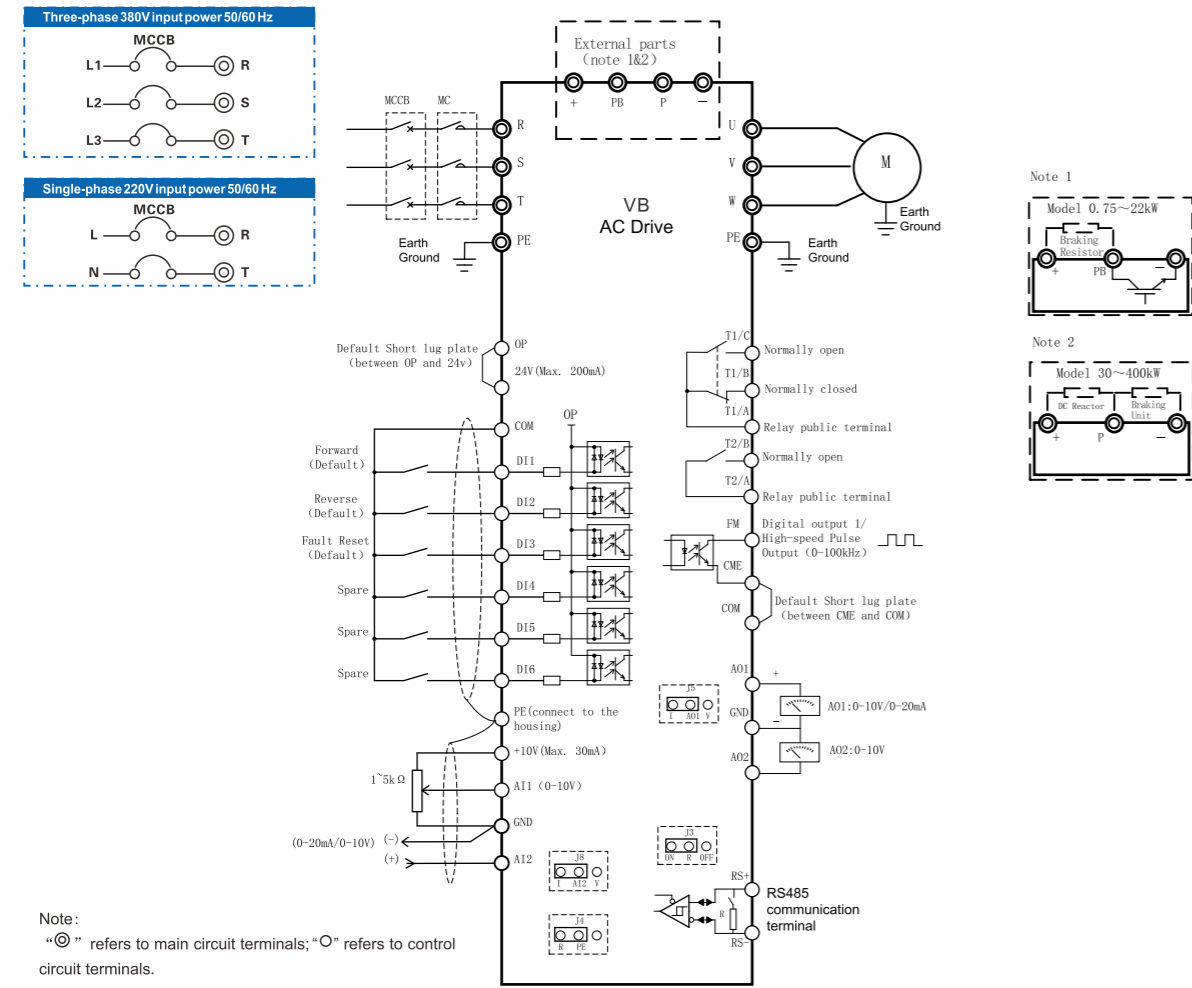
Inverter Model	Outline size				Installation dimension		Opening size
	H	W	D	D1	H1	W1	d
VB-4T011GB/015PB	348	182	211	196	331	156	6
VB-4T015GB/18R5PB							
VB-4T18R5GB/022PB	373	220	205	190	356	156	6
VB-4T022GB/030PB							
VB-4T030G/037P	435	256	222	208	419	170	6
VB-4T037G/045P							
VB-4T045G/055P	543	310	280	265	523	245	10
VB-4T055G/075P							
VB-4T075G/093P	580	358	328	314	560	270	10
VB-4T093G/110P							
VB-4T110G/132P	869	502	355	342	842	320	10
VB-4T132G/160P							
VB-4T160G/185P							
VB-4T185G/200P							

200kW-400kW dimension

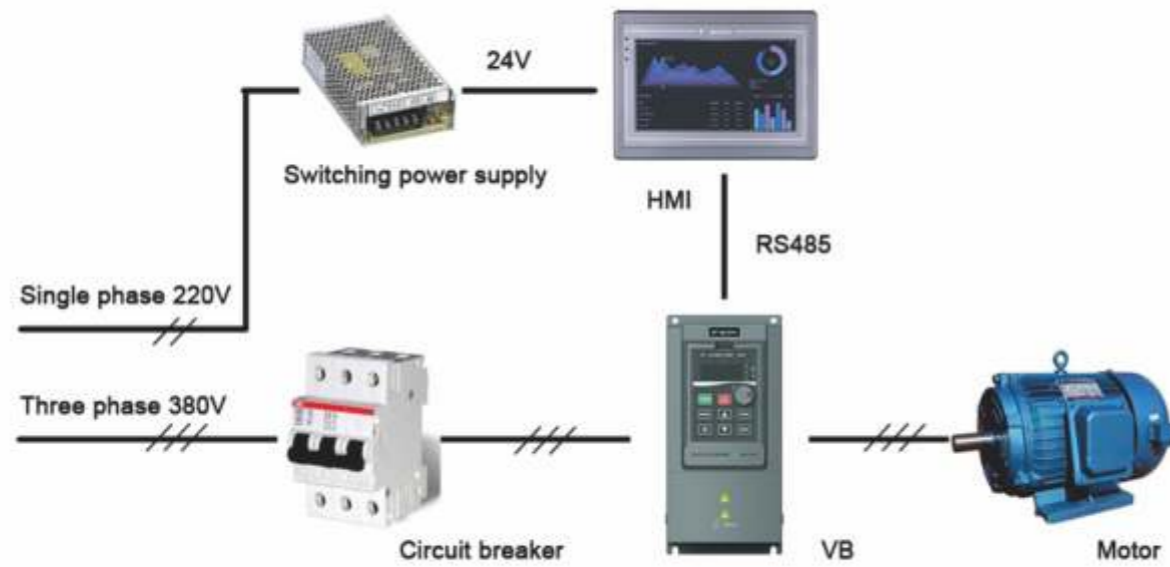


Inverter Model	Outline size				Installation dimension		Opening size
	H	W	D	D1	H1	W1	d
VB-4T200G/220P	1570	600	408	398	1147	400	12
VB-4T220G/250P							
VB-4T250G/280P							
VB-4T280G/315P							
VB-4T315G/355P	1696	800	408	398	1266	520	12
VB-4T355G/400P							
VB-4T400G							

Wiring Diagram



System Composition



VB Industry Applications



Metal/civil working machinery

Typical equipment: numerical control machine tool, engraving and milling machine
Requirements: constant torque, rapid start/stop control
8000B features: parameter identification, DC braking, analog and communication given frequency



Conveying machinery

Typical equipment: roller conveyer line
Requirements: constant torque, great inertial load
8000B features: high start torque, parameter identification, DC braking, rapid start/stop, integrated brake unit for 18.5kW and below



Rubber and plastics machine

Typical equipment: plastic extruder
Requirements: wide speed regulation range, steady torque, low speed fluctuation
8000B features: low speed high torque, quick dynamic response, AVR automatic voltage regulation



Textile/chemical fiber machinery

Typical equipment: double twister, needling machine, needling machine
Requirements: stepless speed regulation, low speed high torque, low speed fluctuation
8000B features: low speed high torque, quick dynamic response

